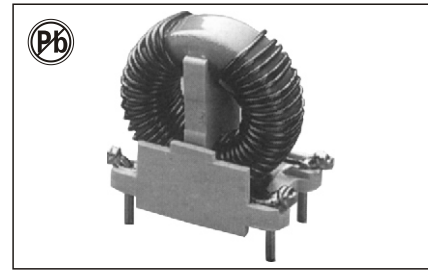


THROUGH-HOLE TOROIDAL COMMON MODE CHOKES

FWCMT3518/3622 SERIES



FEATURES:

- 0.3A to 10A ratings
- 0.7mH to 100mH dual chokes
- Excellent Mechanical Strength
- 100KHz to 3MHz common mode resonance
- High Reliability and variant PCB-mount housing
- Low resistance and temperature rise

OPTIONS:

- Bulk packaging is standard
- Custom design available

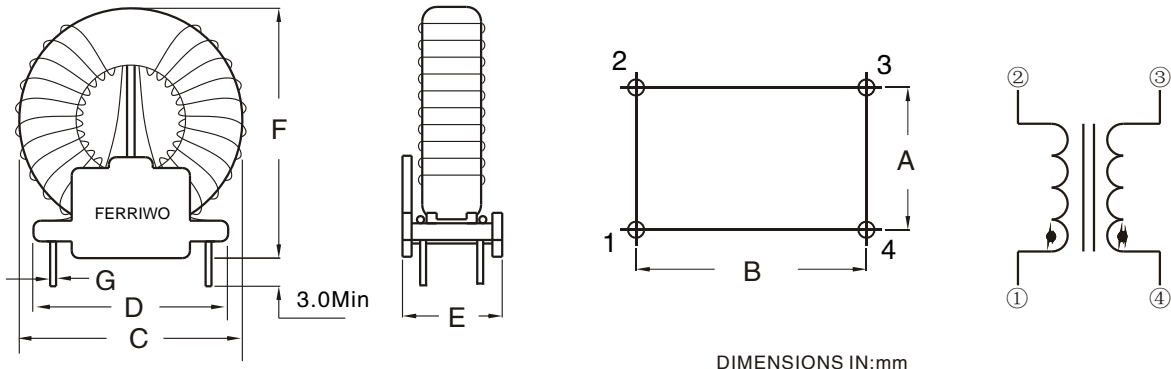
COMMON APPLICATIONS:

- DC/DC, AC/DC line noise suppression
- Communication System
- Automotive Systems
- LCD/PDP Televisions
- Computer Peripheral Equipment It accord with the standards of FCC VCCI CISPR FTZ, etc, eliminating of electromagnetic noise of power and signal circuit.

ELECTRICAL CHARACTERISTICS:

Part Number	Inductance (mH Min.)	RATED RMS Current Amps	DCR each winding (Ohms Max)	Leakage (uH)Type
FWCMT3518-163Y	16.0	1.5	0.320	180
FWCMT3518-103Y	10.0	2.2	0.240	130
FWCMT3518-802Y	8.0	2.5	0.120	90
FWCMT3518-402Y	4.0	3.5	0.040	45
FWCMT3518-302Y	3.0	6.0	0.030	35
FWCMT3518-202Y	2.0	9.0	0.020	25
FWCMT3518-102Y	1.0	15.0	0.010	12
FWCMT3622-163Y	16.0	2.2	0.40	180
FWCMT3622-103Y	10.0	3.0	0.35	130
FWCMT3622-802Y	8.0	3.5	0.143	85
FWCMT3622-402Y	4.0	5.4	0.105	45
FWCMT3622-302Y	3.0	6.5	0.054	35
FWCMT3622-202Y	2.0	8.7	0.020	25
FWCMT3622-122Y	1.2	15	0.010	12

TECHNICAL INFORMATION & PHYSICAL CHARACTERISTICS:



- Inductance tolerance in +50% -30%
 - Max operating voltage:250V at 40°C
 - IDC Max: rating AC/DC current A @ 40°C
 - Hi-Pot 2500Vac winding to winding 3S.
 - Inductance Testing: 10KHz 0.1V HP4284A
 - RDC:QuadTech 1880 Milliohm meter
 - Surge current Max 10ms: 20X IDC
 - Operating temperature: -40°C to +105°C
 - Storage Temperature: -40°C to +105°C
 - Resistance to soldering heat:260°C for 10 seconds
 - Marking: Part number and date code
- Note:All specifications subject to change without notice.

Part Number	A	B	C	D	E	F	G
FWCMT3518	10.2	20.3	34.300	25.4	17.78	31.5	1.2
FWCMT3622	15.2	22.9	36.830	27.94	22.86	33.5	1.2